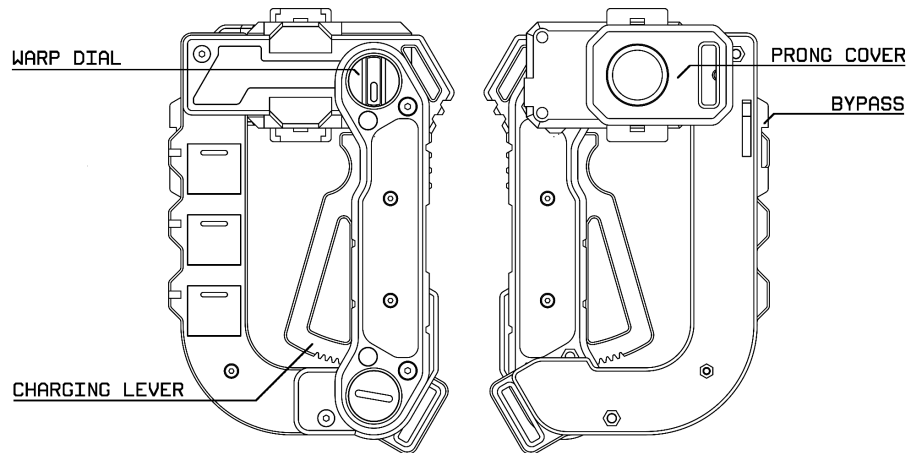


## BLX2 QUICK GUIDE

Thank you for purchasing a BLX2 Beysar! Here are a few things you should know:



An in-depth manual is available at [starsidearmory.com/intel/bbxl-manual](https://starsidearmory.com/intel/bbxl-manual)

### Operation:

- Pull Charging Lever partially to activate targeting LED
- Pull Charging Lever fully to activate core LED
- Adjust Warp Dial to intimidate opponents (non-functional)
- Toggle Bypass with ripcord removed. Stow mode stores ripcord inside chassis. Pass allows unhindered ripcord pull.

### Maintenance:

- Battery type: (1) CR2032 coin cell
- Battery swap: Using a narrow tool, push on the battery holder near the power switch. The battery holder will slide out the top. Add a new battery, then slide the holder back into the slot. Make sure not to twist the wires.
- **IMPORTANT:** Avoid leaving in a hot, confined area such as a car in the sun.

### Troubleshooting (Please see the full manual for more):

- Flap operation - sand and debris might jam the flaps. Compressed air may help, or disassembly and re-greasing might be necessary.

I'm always working on new sci-fi gear! If you like this kind of stuff, check out [starsidearmory.com](https://starsidearmory.com) and @starside\_armory on Instagram for updates. Thanks again for your support, I couldn't do this without you!

See you starside,