

LCS Quick Guide

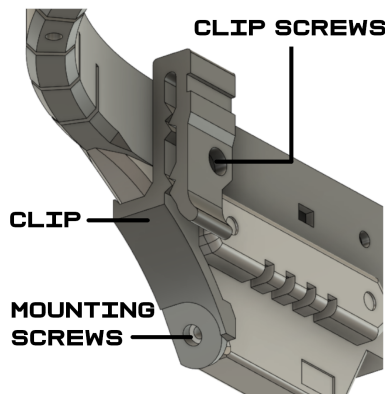
Thank you for purchasing a Light Collar System! This quick guide will go over the basics for installation and operation. For more information and updates, visit www.starsidearmory.com/lcs-manual and follow @starside_armory on Instagram.

DO:

- >Position power cord and battery in a way that minimizes snag, tangle, and drop hazards.
- >Consider routing wires inside your jacket liner.
- >Customize your collar and share your outfit!

DO NOT:

- >Over-tighten screws or operate false screw heads.
- >Stress or move the soldered ends of the LED strips.
- >Disassemble, drill, or damage the frame - wires run through all parts.
- >Flex or twist collar excessively.
- >Get wet. There is some limited splash resistance, but turn the battery off if it gets wet.



ATTACHING TO JACKET - CLIPS

- >Simply insert the collar of your jacket into the **clips**. This is designed for bombers and high collared jackets, but other attachment methods can be used for different style jackets.

ATTACHING TO JACKET - SCREWS

- >Remove the **mounting screws**. The clips can stay or go.
- >Wear your jacket and position the collar in a way that looks good and is comfortable. Check your head's range of motion.
- >Apply masking tape and mark where the mounting holes touch the jacket. Check that the placement is even.
- >Pierce jacket with an awl, small knife, etc. For nylon jackets, you can heat the tool with a lighter first to cauterize the hole

and prevent fraying.

- >From inside the jacket, insert the mounting screws through the holes and screw them back into the collar.

- >Both of these methods can be combined, using the same piercing method on the **clip screws**.
- >Route the power cable over the jacket collar and to the battery, which can be held in a pocket.

OTHER NOTES:

- >The rigidity of the collar can make donning and removing the jacket awkward. Raise both arms up to make it easier. You can also try fastening one side only.
- >Power supply rating: 12-volt DC; 5521 barrel plug.

Thank you again for your support! See you starside,